

## Application

- It can be used to transfer clean water or other liquids similar to water in physical and chemical properties. It is suitable for small living water supply, automatic water sprinkler system, small air conditioner system or supporting equipment etc.

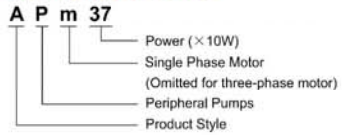
## Pump

- Cast iron pump body and support under special anti-rust treatment
- Rust-free copper inserts prevent impeller's block when starting after the pump is unused for a long time
- Brass impeller with evenly arranged radial vanes
- AISI 304 shaft
- Max. liquid temperature: +60°C
- Max. suction: ≈8 m

## Motor

- C&U bearing
- Motor with copper winding
- Built-in thermal protector for single phase motor
- Insulation class: F
- Protection class: IPX4
- Max. ambient temperature: +40°C

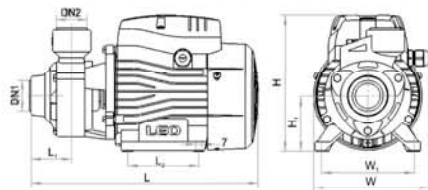
## Identification Codes



## Technical Data

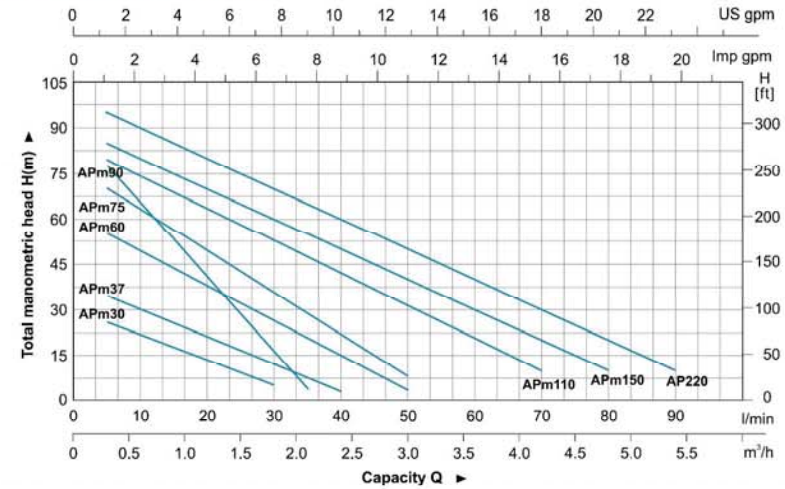
| MODEL        |             | POWER |     | Q (m³/h)               |                        | H (m) |     |     |     |     |     |     |     |     |     |     |     |     |     |  |
|--------------|-------------|-------|-----|------------------------|------------------------|-------|-----|-----|-----|-----|-----|-----|-----|-----|-----|-----|-----|-----|-----|--|
| Single Phase | Three Phase | kW    | HP  | Q <sub>1</sub> (l/min) | Q <sub>2</sub> (l/min) | 0     | 0.3 | 0.6 | 0.9 | 1.2 | 1.5 | 1.8 | 2.1 | 2.4 | 3.0 | 3.6 | 4.2 | 4.8 | 5.4 |  |
| APm30        | AP30        | 0.3   | 0.4 | 30                     | 26                     | 20    | 15  | 12  | 8   | 5   | 2   |     |     |     |     |     |     |     |     |  |
| APm37        | AP37        | 0.37  | 0.5 | 40                     | 35                     | 30    | 25  | 20  | 15  | 10  | 5   | 2   |     |     |     |     |     |     |     |  |
| APm60        | AP60        | 0.6   | 0.8 | 60                     | 55                     | 50    | 40  | 35  | 30  | 25  | 20  | 10  | 5   |     |     |     |     |     |     |  |
| APm75        | AP75        | 0.75  | 1.0 | 75                     | 70                     | 60    | 50  | 45  | 35  | 28  | 22  | 15  | 5   |     |     |     |     |     |     |  |
| APm90        | AP90        | 0.75  | 1.0 | 90                     | 75                     | 60    | 50  | 35  | 25  | 15  | 5   |     |     |     |     |     |     |     |     |  |
| APm110       | AP110       | 1.1   | 1.5 | 85                     | 80                     | 75    | 65  | 60  | 55  | 50  | 45  | 40  | 30  | 18  | 10  |     |     |     |     |  |
| APm150       | AP150       | 1.5   | 2.0 | 90                     | 86                     | 80    | 75  | 70  | 65  | 60  | 55  | 50  | 40  | 30  | 20  | 10  |     |     |     |  |
| —            | AP220       | 2.2   | 3.0 | 100                    | 96                     | 90    | 85  | 80  | 75  | 70  | 65  | 60  | 50  | 40  | 30  | 20  | 10  |     |     |  |

## Dimension



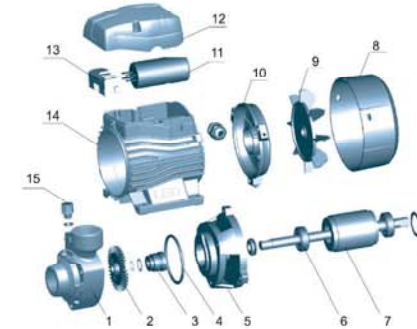
| MODEL  | DN1  | DN2  | L (mm) | W (mm) | H (mm) | L <sub>1</sub> (mm) | L <sub>2</sub> (mm) | W <sub>1</sub> (mm) | H <sub>1</sub> (mm) |
|--------|------|------|--------|--------|--------|---------------------|---------------------|---------------------|---------------------|
| APm30  | 1"   | 1"   | 260    | 132    | 155    | 46.5                | 80                  | 100                 | 63                  |
| APm37  |      |      | 260    | 132    | 155    | 46.5                | 80                  | 100                 | 63                  |
| APm60  |      |      | 282    | 147    | 183    | 51                  | 90                  | 112                 | 71                  |
| APm75  | 3/4" | 3/4" | 300    | 147    | 183    | 54.5                | 90                  | 112                 | 71                  |
| APm90  |      |      | 289    | 147    | 183    | 50                  | 90                  | 112                 | 71                  |
| APm110 | 1"   | 1"   | 336    | 165    | 210    | 56                  | 100                 | 125                 | 86                  |
| APm150 |      |      | 338    | 165    | 210    | 56                  | 100                 | 125                 | 86                  |
| AP220  |      |      | 338    | 165    | 210    | 56                  | 100                 | 125                 | 86                  |

## Hydraulic Performance Curve



## Materials Table

| No. | Part            | Material       |
|-----|-----------------|----------------|
| 1   | Pump body       | HT200          |
| 2   | Impeller        | ZCuZn38        |
| 3   | Mechanical seal | Carbon/ceramic |
| 4   | O-ring          | NBR            |
| 5   | Support         | HT200          |
| 6   | Bearing         | HT200          |
| 7   | Rotor           |                |
| 8   | Fan cover       | PP             |
| 9   | Fan             | PP             |
| 10  | End plate       | ZL102          |
| 11  | Capacitor       |                |
| 12  | Capacitor box   | ABS            |
| 13  | Terminal board  | PC             |
| 14  | Stator          |                |
| 15  | Filling plug    | HP059-1        |



## Package Information

| Model  | GW (Kgs) | L (mm) | W (mm) | H (mm) | Quantity (PCS/20 TEU) |
|--------|----------|--------|--------|--------|-----------------------|
| APm30  | 5.1      | 283    | 158    | 174    | 3132                  |
| APm37  | 6.5      | 283    | 158    | 174    | 3132                  |
| APm60  | 9.0      | 330    | 190    | 210    | 2365                  |
| APm75  | 10.5     | 345    | 190    | 210    | 2222                  |
| APm90  | 10.5     | 345    | 190    | 210    | 2222                  |
| APm110 | 15.9     | 360    | 210    | 250    | 1230                  |
| APm150 | 16.5     | 360    | 210    | 250    | 1230                  |
| AP220  | 17.2     | 360    | 210    | 250    | 1230                  |